
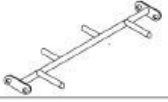





No	Item	Quantity
1		1/1
2		1
3		2
4		4
5		8

