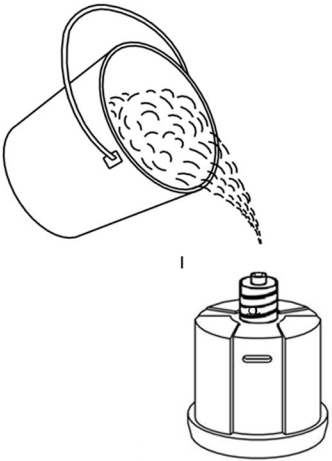


ASSEMBLY INSTRUCTION

STEP-1

FILL THE BASE WITH WATER OR SAND.



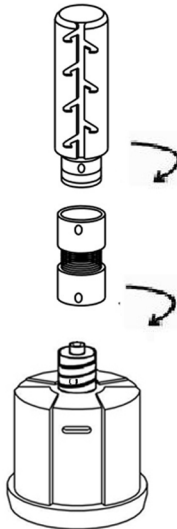
STEP-2

LID THE BASE.



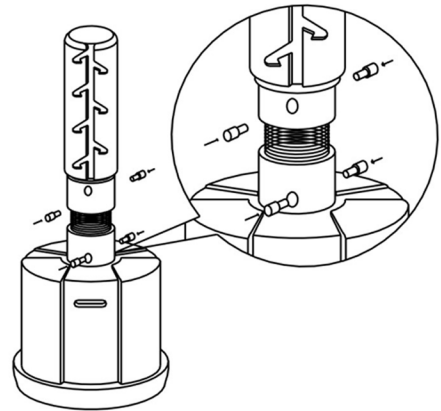
STEP-3

MATCH TWO HOLES BETWEEN THE MIDDLE RUBBER AND BASE.



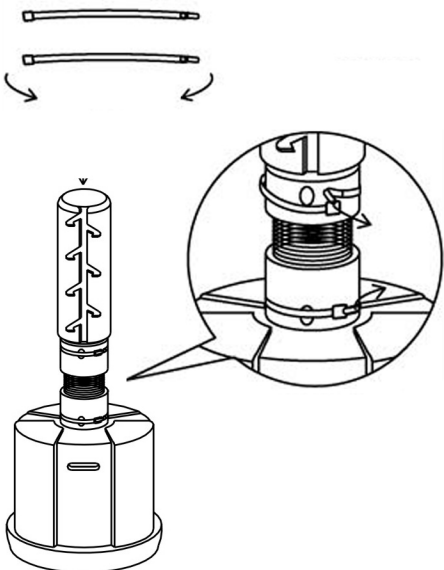
STEP-4

PUT FOUR RUBBER PLUGS INTO BOTH SIDES.



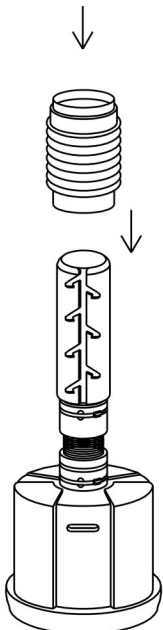
STEP-5

PUT 2 STEEL HOOP OUTSIDE THE MIDDLE RUBBER AND LOCKED.



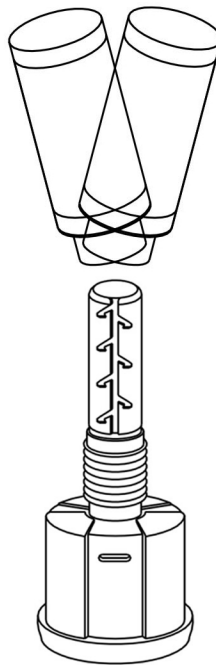
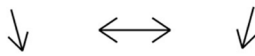
STEP-6

PUT THE PROTECTIVE SLEEVE OUTSIDE THE MIDDLE RUBBER.



STEP-7

SHAKE AND SLIP ON THE BAG TO THE MIDDLE RUBBER.



STEP-8

FINISHED.

