

Magnus
DESIGN



TECH
SUPPORT

MP1018



Magnus
DESIGN

SPORT GOODS **NR1**



MAGNUS DESIGN



READ USER
MANUAL

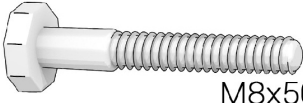

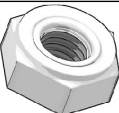
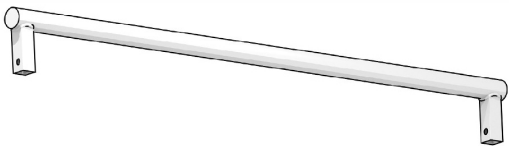

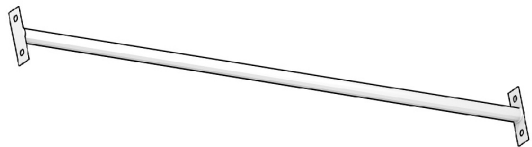
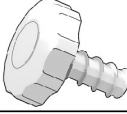
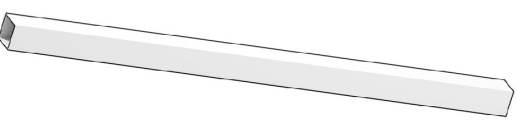

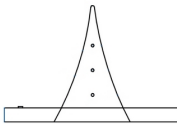
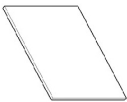
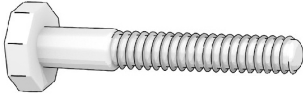





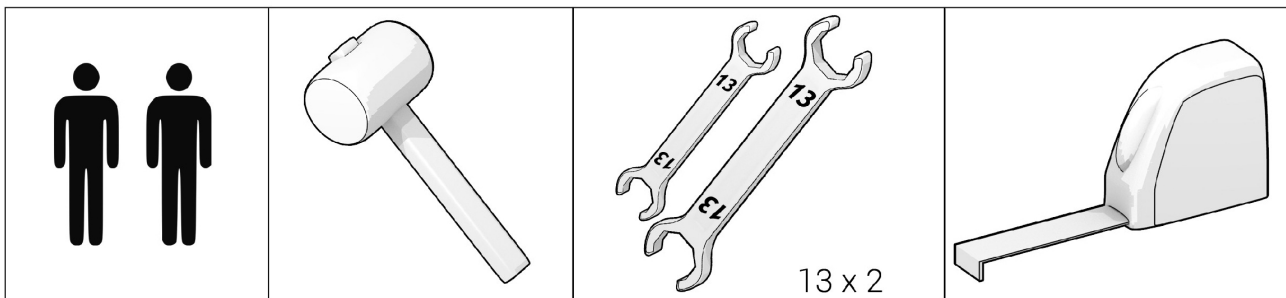
CLASS
KLASA
KLASSE





EN 957

EC
DIRECTIVE

1

1	 M8x50	x4	10		x4
2	 M8	x16	11		x2
3	 M8	x32	12		x2
4	 M8x40	x8	13		x2
5		x32	14		x4
6	 30x30	x4	15	 M8x60	x12
7		x4			
8		x2			
9		x4			

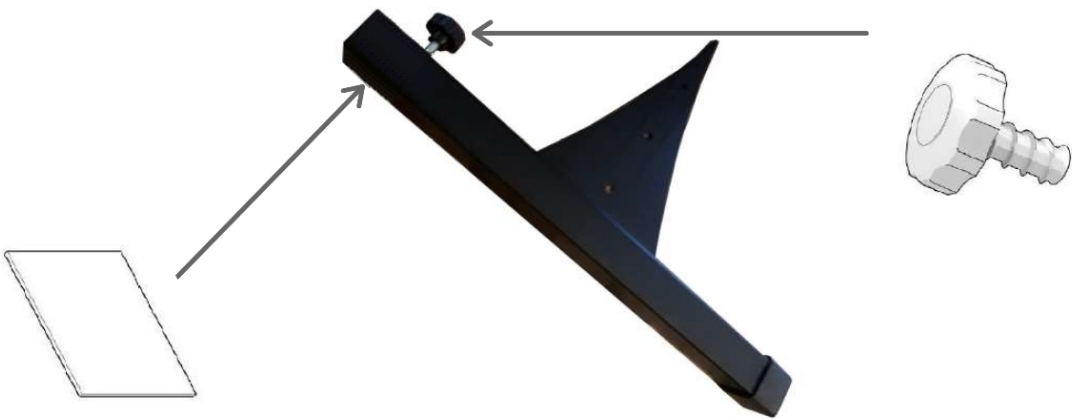


10 	14 	4 	6 
x4	x4	x8	x4

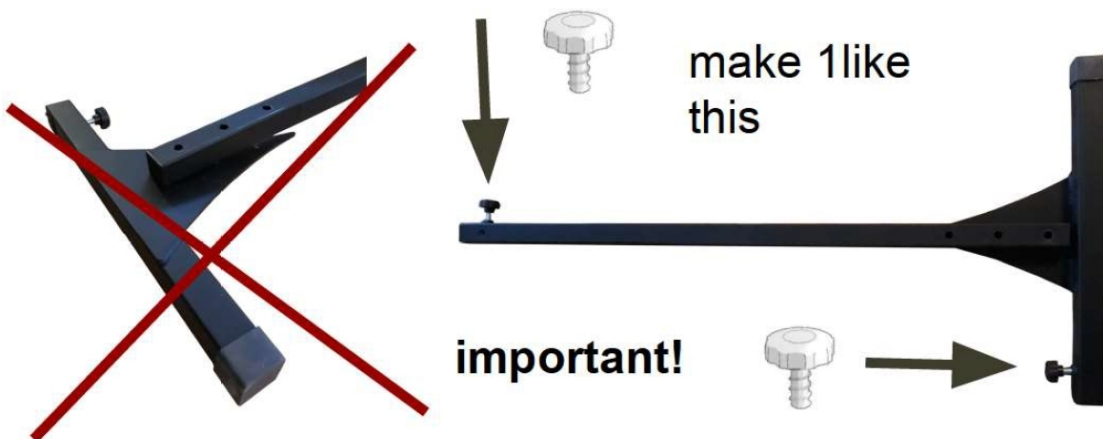
1



2



3






4

make 1 like that

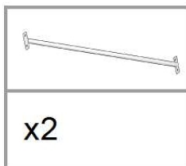


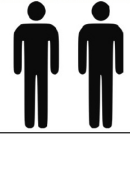
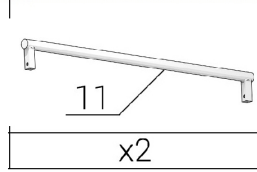
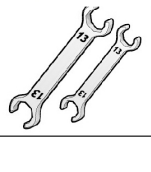
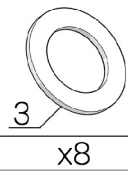
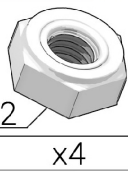
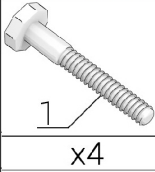
5

 M8x60 15	 3	 2
x12	x24	x12

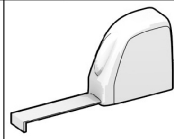
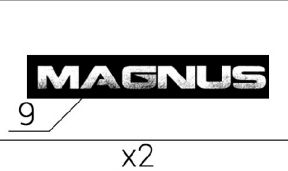
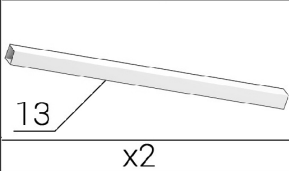
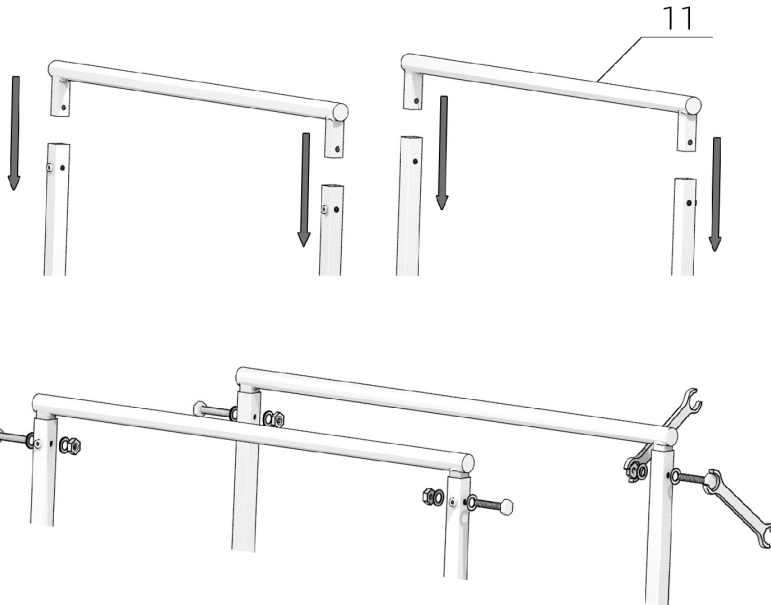


6

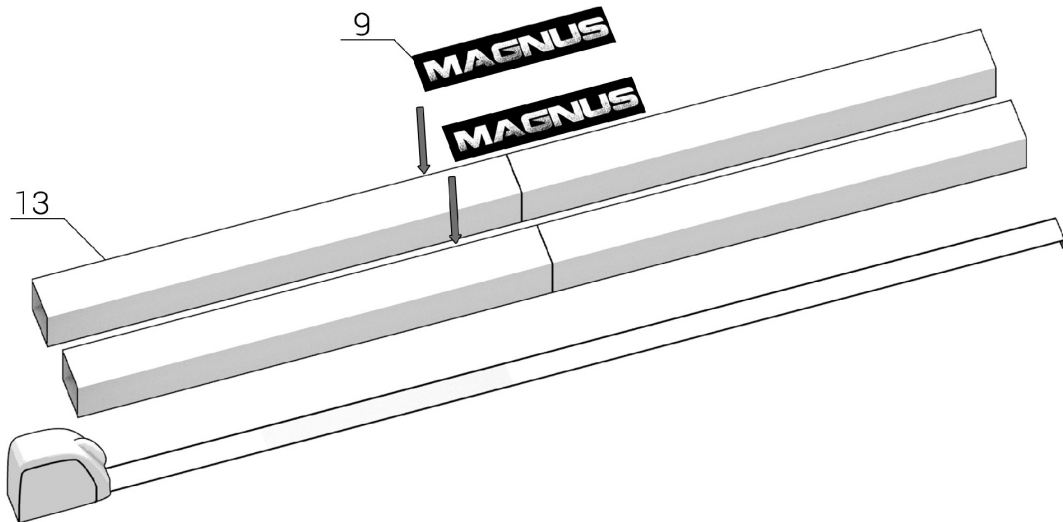




7



8



9

MAGNUS POWER

7
x4



10

M01
H
CLASS
KLASSE
260
KG
160
100
i
READ USER
MANUAL

8
x2



	↓ KG	Ⓢ KG	CLASS KLASA KLASSE	GOODS SIZE		
				A		
				X	Y	Z
MP1018	260	20	H	100-160	88	108

